

# Installation recommendations

Dear customer!

We thank you for your choice of our product. You have purchased a high quality industrial product, which was made using modern technologies. We are sure that our doors will meet your expectations, harmoniously fit into your interior, will serve you and please you for many years.

**Installation tips for the box, the threshold, the door panel, jambs extension, casings (Fig. 1-33).**

### Attention!

1. Work on the sidebar fittings and door installation should be provided by a qualified specialist. If you do decide to install the door yourself, please read our recommendations.
2. Threshold bar is not included in the box set. It can be purchased separately in case of necessity.
3. Before starting the installation, carefully check the quality of the parts, completeness and compliance with the size of the door unit details and the door opening parts (Tab. 1a, 1b, Fig. 5). After installation (product alteration) claims for obvious visible defects will not be accepted.

**Table 1a**

Door panel width, mm	Door unit width, mm	Recommended size of the opening in the wall, mm	Light passage, mm	Width of the unit with platbands, mm
B	B1	B2	B3	B4
600	666	685-705	586	794 (784)*
700	766	785-805	686	894 (884)*
800	866	885-905	786	994 (984)*
900	966	985-1005	886	1094 (1084)*
1000	1066	1085-1105	986	1194 (1184)*
600+600 400+800	1268	1288-1308	1188	1396 (1386)*

(\*) For a platband with width 2 6164".

When using jambs extension size increases by 5/16".

\*\* Depending on the box type (see Figure 14-15).

**Table 1b**

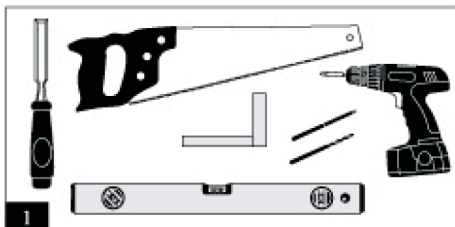
Door panel height, mm	Door unit height, mm	Recommended size of the opening in the wall, mm	Height of the unit with a threshold, mm	Recommended size of the opening in the wall with a threshold, mm
H	H1	H2	H3	H4
2000	2051*	2070*-2090*	2051	2070-2090
2100	2151*	2170*-2190*	2151	2170-2190
2200	2251*	2270*-2290*	2251	2270-2290
2300	2351*	2370*-2390*	2351	2370-2390

\* This size gives an 4564" gap between the lower surface of the panel and the floor. Recommended gap - 2564"

### Tools required for installation

(not included in the set) (Figure 1):

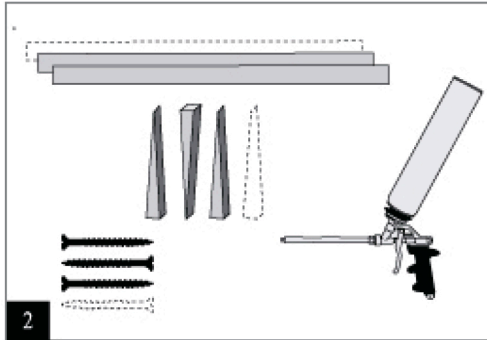
- Bubble level.
- A drill with a set nozzles and drill bits.
- Hacksaw for the tree with a fine tooth (miter box for the ends trimming) or trimming saw.
- Chisel.
- Joiner's set for marking angles and checking them.



### Consumables for the door installation

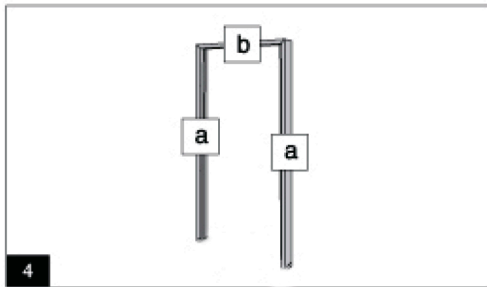
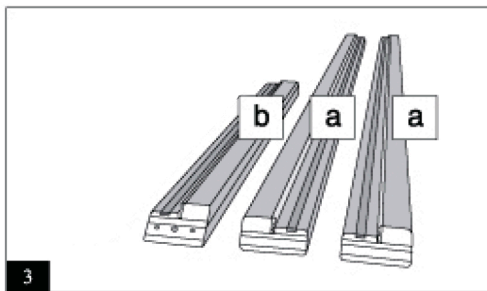
(not included in the set) (Figure 2):

- A tube of assembly foam, you need one tube for 2-3 doors.
- Wooden wedges.
- Spacers (as spacers can be used bars with a section 40 \* 40, 40 \* 30, 40 \* 25).
- Crepe (masking tape) for the door surface protection.
- Self-taping screws 4 \* 50 (if the threshold is going to be assembled).



### Elements of the set for the box with threshold (Fig. 3-4):

- Stiles of the box (a).
- Upper timber of the box (b).

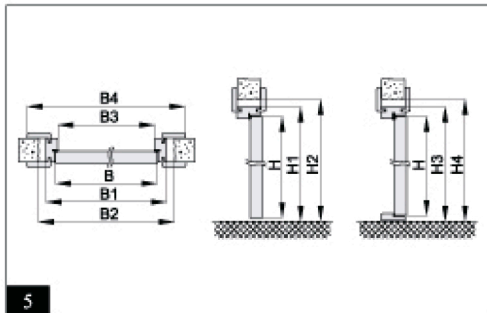


### Doorway preparation (Tab. 1a, 1b, Fig. 5)

### Attention!

All "wet" indoors finishing works, must be completed before the installation. The room should be dried up and the floor surface should be aligned horizontally.

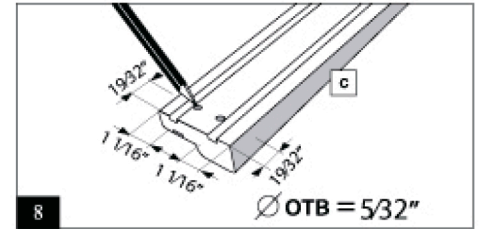
Vertical surfaces of walls and doorways are prepared and aligned with the bubble level. Dimensions in the wall must provide a gap between the wall and the door frame from 10 to 25/32". For better adhesion to the assembly foam inner surface of the wall opening should be cleared from dust and lightly moisturized with an atomizer.



### Stages of the box with a threshold installation

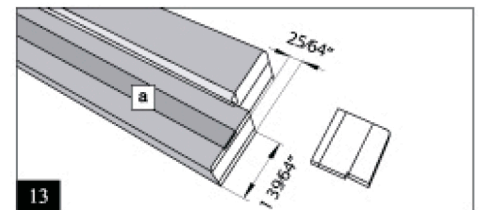
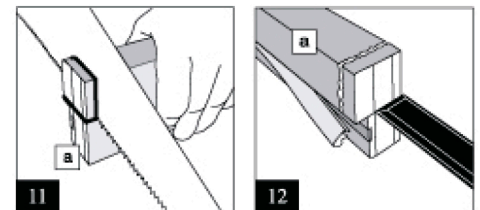
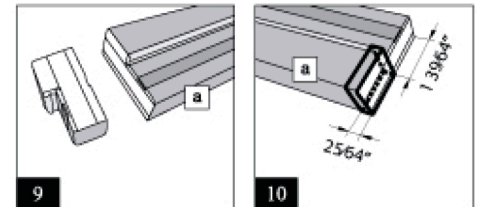
#### 1. Threshold preparation (Figure 6-8)

Apply the box's upper bar to the threshold bar (Fig. 6) and mark a line of the sawing off. Saw off the threshold bar into the size of the box's upper bar along the marked line (Fig. 7). Drill 2 straight-through 5/32" holes on either side of the threshold (Fig. 8).



#### 2. Preparation of stiles (Figure 9-13)

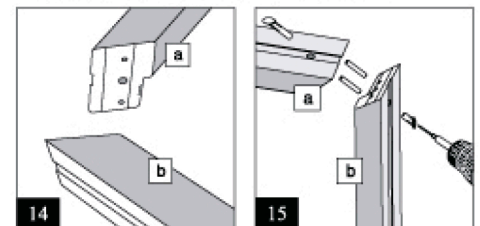
Mark a sawing line for the box stiles parting-off into the size of door 1 2764" and with a hacksaw saw off the excess from your planed line (trimmed end is not sawing off). Draw the lines corresponding to the fragment sampling, which is schematically shown in (Figure 10). Saw the element using till the drawn up lines, then use the chisel to separate the notched fragment. Apply the threshold and mark the fixing points. Drill 2 holes of 1/8" (Fig. 16).



#### 3. Assembling (Figure 14-17)

Spread items a, b, c (Figure 3) on a flat clean surface. Connect the ends of the trimmed stiles (with dowels 6 \* 35 installed in them) with the box's upper bar trimmed ends by option A or B (Fig. 14-15). Pull the corners using self-tapping screws. Then, using self-tapping screws (4 \* 50) connect the ends of the box's stiles, which you have prepared, with a threshold. The door frame is ready for a subsequent installation.

Next, refer to paragraph 2 of the next section.



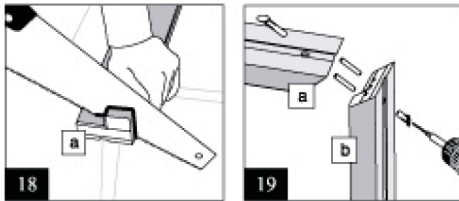
## Installation stages for the box without a threshold.

### 1. Door frame assembling (Figure 18-20)

Before the assembly, stiles must be trimmed in accordance with the necessary gap between the floor and the door leaf, considering the flooring (Figure 18-19). In the living quarters recommended gap is – 2564". Spread items a, b (Figure 3) on a flat clean surface. Connect the ends of the trimmed stiles (with dowels 6 \* 35 installed in them) with the box's upper bar trimmed ends by option A or B (Figure 20a, 20b). Pull the nodes using self-tapping screws. The door frame is ready for a subsequent installation.

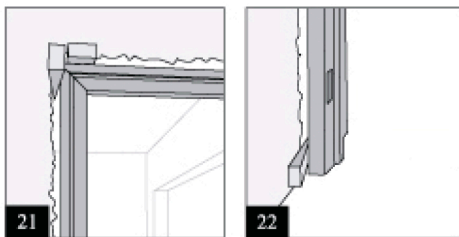
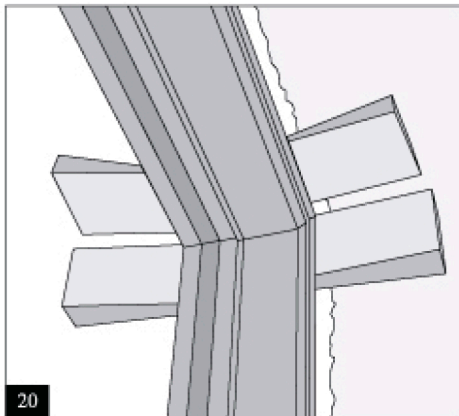
#### Attention!

Assembly foam is toxic. Use it in a well ventilated area. To prevent damage of the lacquered box coating it can be neatly pasted over with a crepe (masking tape). After drying, the foam may increase in volume, keep this in mind during installation!



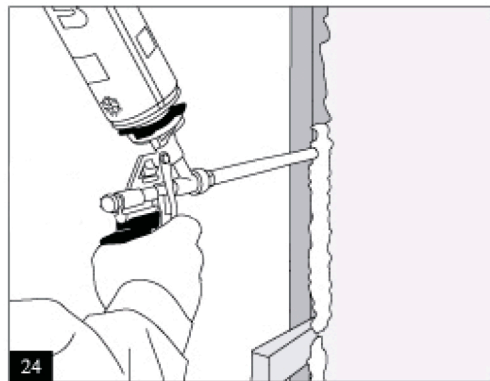
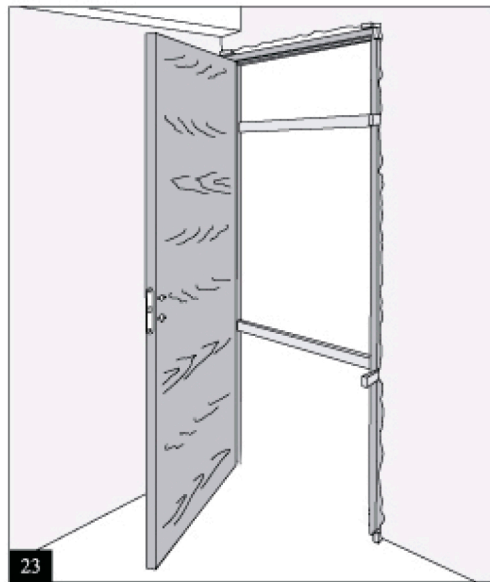
### 2. The door frame installation (Figure 21-24)

Place the door frame into the opening prepared for the installation (see section "preparation of the doorway"). With wedges fix the upper part of the door frame (Figure 21-22). If you are installing the door without threshold then attach the lower strut (at the ends of the spacers enclose cardboard gaskets, to prevent damages to the surface of the door frame) and lock the door frame with wedges at the bottom (Fig. 23). Align the vertical and horizontal box timbers in 2 planes with the help of a bubble level. Install and fix spacer timber near the lock with wedges (Fig. 24). Check the size in several points between the vertical box timbers of near the door leaf narthex. It should assemble – panel width + recommended gap of 1364" (516" for swing doors).



### 3. Door leaf installation (Figure 24-25)

Hang the leaf. Check the uniformity of the gaps between the door leaf and the door frame. Check whether the door closes smoothly. In the half-open position, the door should not be opened or closed spontaneously. If it's necessary you can make further adjustments. Evenly fill the gaps between the wall and door frame. After the foam dries (see foam manufacturer's advice about how to use their product), carefully remove or cut wedges, remove spacers, carefully cut away with a knife the rest of the protruding foam.

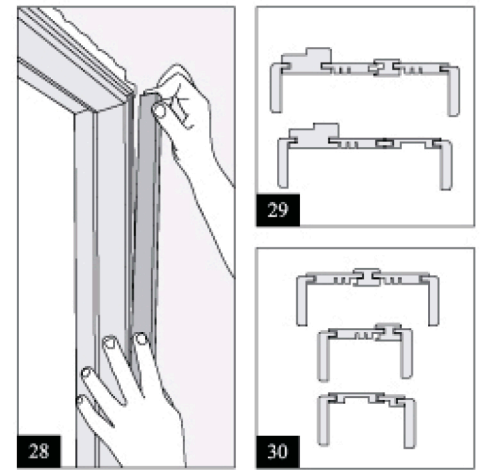
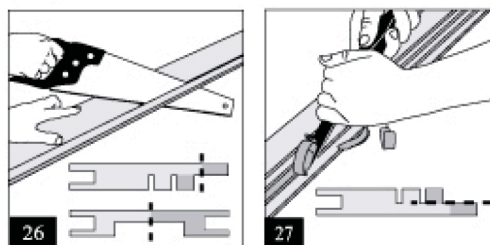
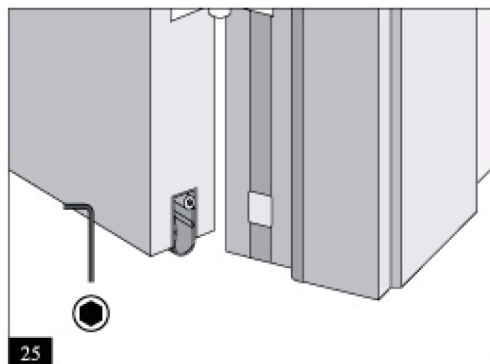


### 4. Jamb extension installation (Figure 26-30)

#### Attention!

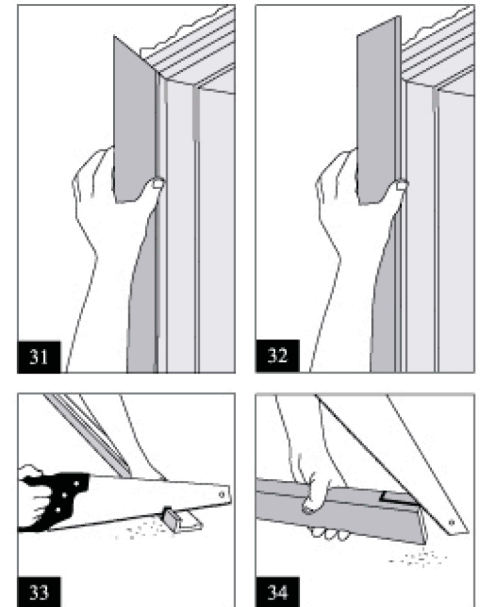
Installation of the jamb extension detail can start after the door frame has been installed and assembly foam has completely dried (See the recommendation of the foam manufacturer).

Measure the distance from the edge of the box to the edge of the wall; if necessary, saw off the Jamb extension with hacksaw or jigsaw to the desired size, taking into account the slot for the installation of casing and jamb extension (Fig. 26), and remove with a chisel protruding element on the back side of the door frame (Fig. 27). Insert the jamb extension into the groove and fill it up with foam at several points (Fig. 29). Wait for the complete drying of the foam. In the case where the maximum width of a standard jamb extension, produced by a plant (190 mm), can not completely cover the opening width. Special jamb extension or juncture element should be applied (Fig. 29). The juncture element also allows you to arrange an opening without the installation of the door frame (Fig. 30).



### 5. Casings installation (Fig. 31-34)

Determine the required length of the casing. Gash casing using a hacksaw in the miter box or using trimming saw at an angle of 45°. Casing with the "beak" is inserted into the groove of the door frame and is mounted at several points on the liquid nails. For some collections casing is sawed down at an angle of 90°. In this case, you first need to remove part of the "beak" on the top (Fig. 32-34).



### Recommendations for the care of the door and its parts of the door unit

A good door, like any high end furniture, requires a careful maintenance. To preserve the appearance of the door it is recommended to periodically use certain substances for taking care of wooden furniture. You can clean the door surface with a damp cloth. Avoid rough mechanical impact on the surface of the door, as well as its contact with acids, alkalis, solvents. This can lead to defects on the surface and deterioration of appearance. Only wash any glass on our door with clean water, stubborn dirt can be removed by gentle means for glasses. In humid areas it is recommended to organize a forced ventilation.