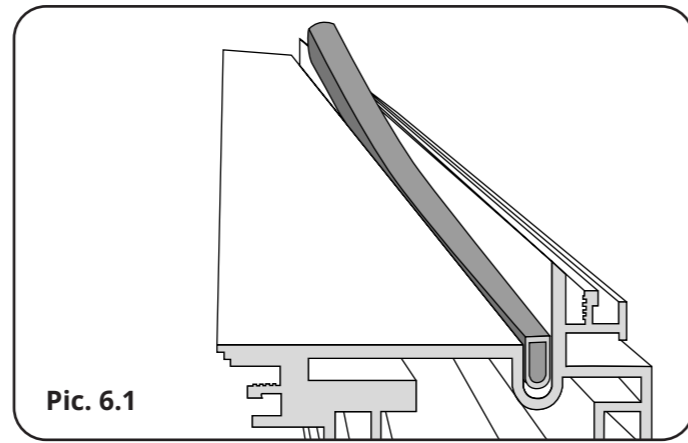


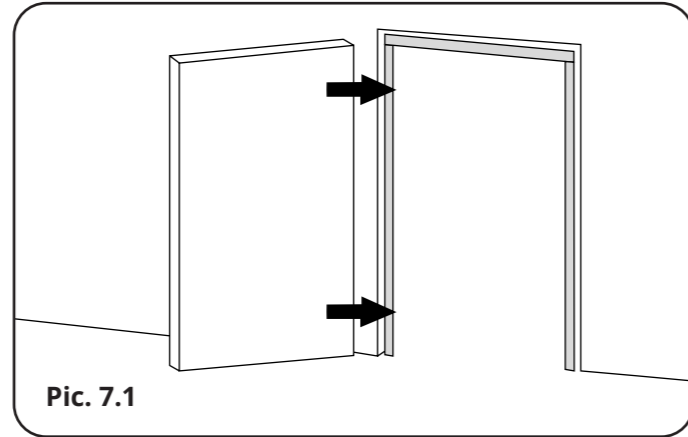
### Step 6 (Pic. 6.1)

Insert the weather strip (seal) into the doorframe groove.



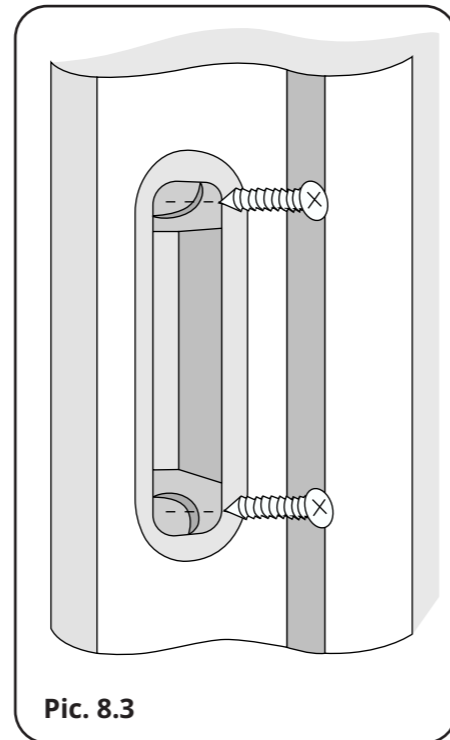
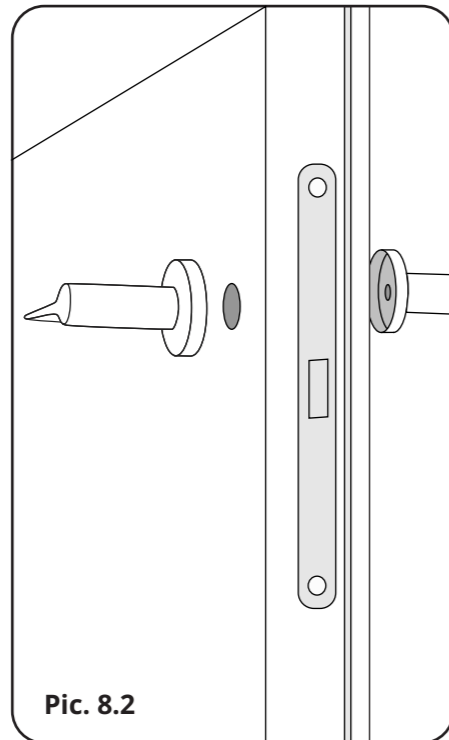
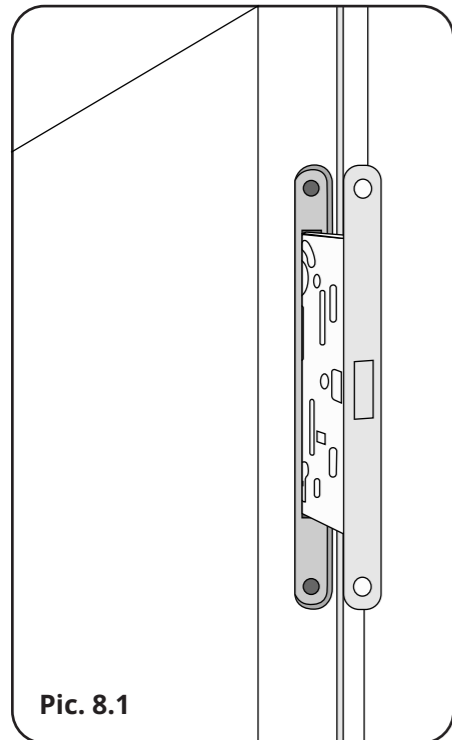
### Step 7 (Pic. 7.1)

Insert the door leaf into the doorframe and fix the hinges with the screws in the pre-marked places (see the step 3).



### Step 8

Install the door latch and the handles according to the installation instructions (Pic. 8.1, Pic. 8.2). Fit and fasten the strike plate according to installation instructions (Pic. 8.3).



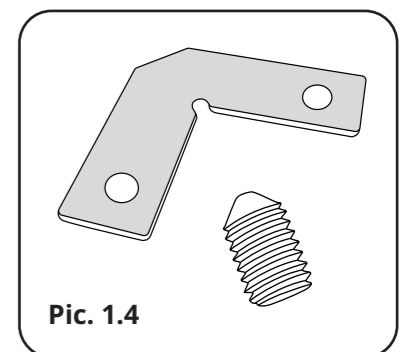
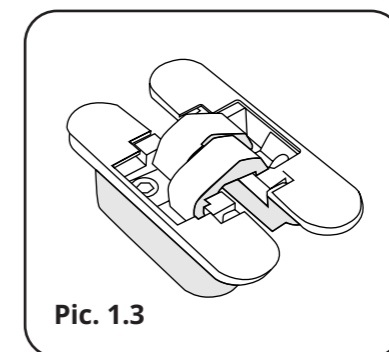
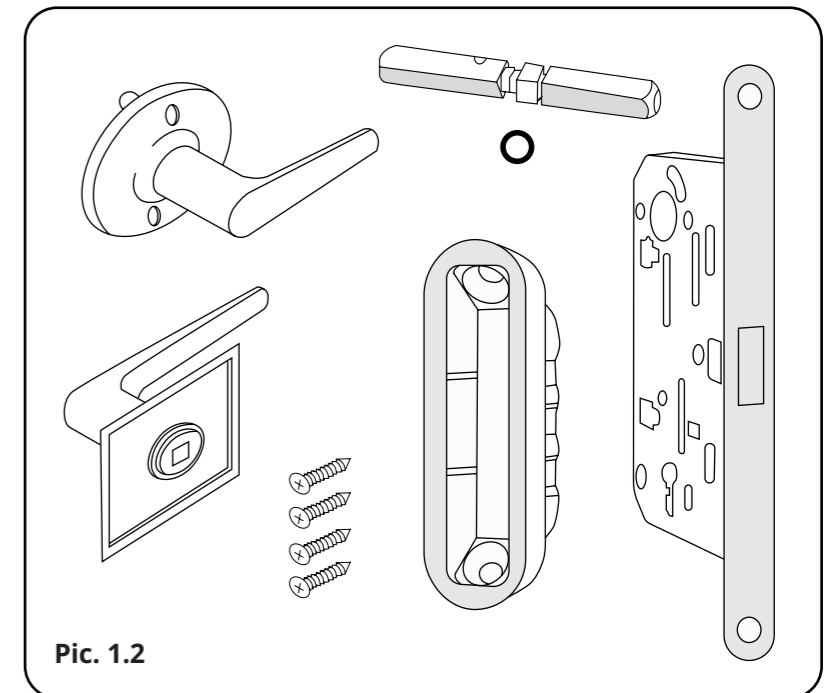
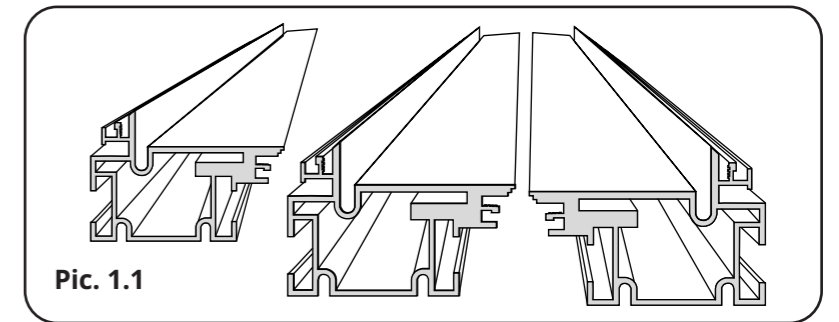
## INSTALLATION MANUAL

for door with hidden  
aluminum frame

### Step 1

Check the completeness  
of the product  
before installation.

1. Door leaf - 1 pcs
2. Door frame set (Pic. 1.1):
  - 2.1. Side - 2 pcs
  - 2.2. Header - 1 pcs
3. Door latch with a handles and strike plate - 1 set (Pic. 1.2)
4. Door hinge - 2, 3 or 4 pcs (depending on the height of the door leaf) (Pic. 1.3)
5. Weather strip (seal)
6. L-shaped connectors - 4 pcs (Pic. 1.4)
7. Screws for L-shape connectors - 8 pcs (Pic. 1.4)



## Step 2 (Pic. 2)

The door frame is cut to length, so it does not need to be cut additionally during installation work.

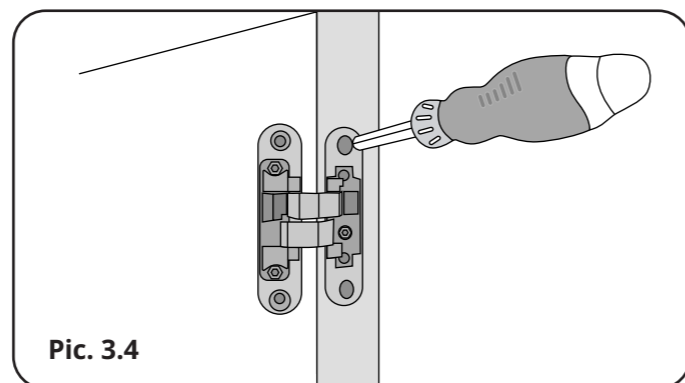
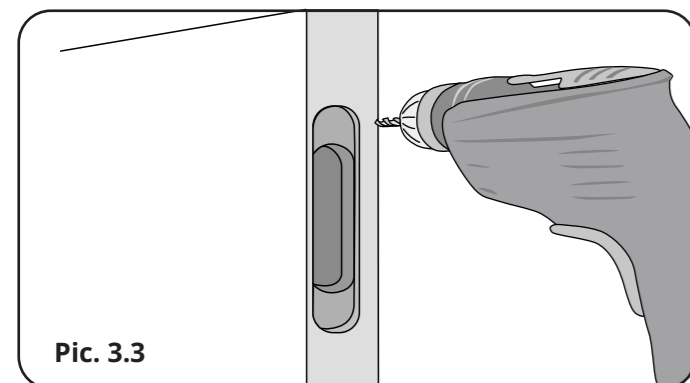
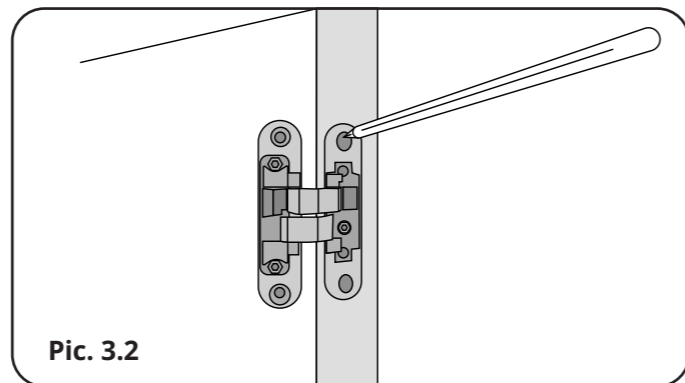
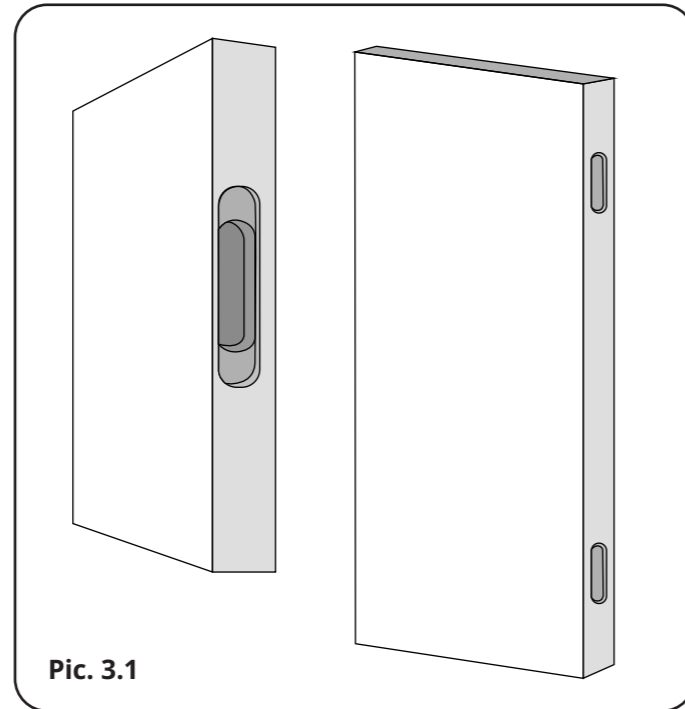
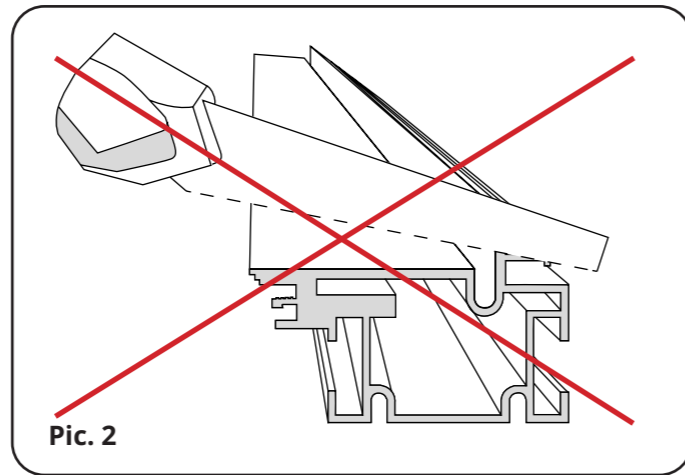
Gap between floor and door leaf is 1/2 inch

## Step 3

Installation of fittings in the door leaf. Products come with embedded places for hinges and locks (pic. 3.1). You just need to insert and secure them.

When installing the hinge, observe the correct side (there is a marking on the hinge: door / frame).

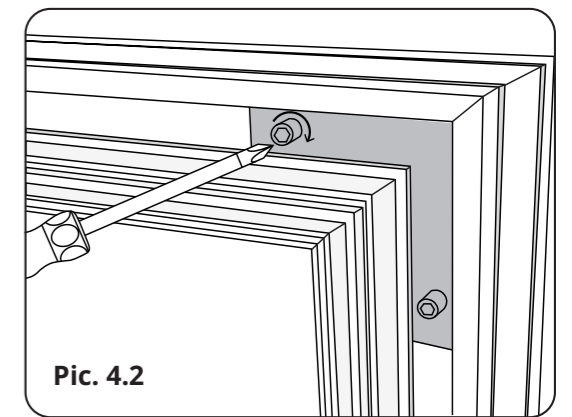
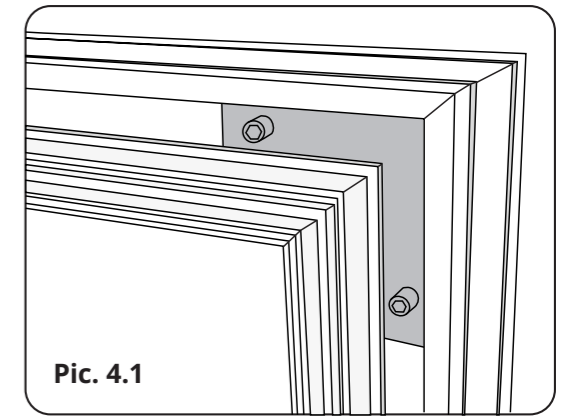
Make a marking of the drilling places (pic. 3.2). Drill the holes before screwing in the screw (pic. 3.3). Screw the hinges to the door leaf (pic. 3.4)



## Step 4

The aluminum frame is assembled by twisting the vertical and horizontal parts with the help of L-shaped connector inserted into the grooves of the door frame, as shown in pic. 4.1.

L-shaped connectors are inserted 2 pieces into each corner joint (one on each side). Then insert the screws into the I-shaped connectors and tighten them until they stop (pic. 4.2.)



## Step 5

Insert the assembled door frame into the opening (Pic. 5.1).

To prevent deflection, it is necessary to install a gasket between the frame and the wall (wedges) (Pic. 5.2.). Taking into account the specifics of the walls, there are two options for attaching the box:

1) fastening to the side of the opening using fasteners through the profile of the frame. We fix it in the seats of the hinges (Pic. 5.3.) and the lock (Pic. 5.4.).

2) fastening through mounting plates. The plates must be fixed to the back of the frame (3 pieces on each side) and then the plate is bent and fixed to the wall (Pic. 5.5.).

